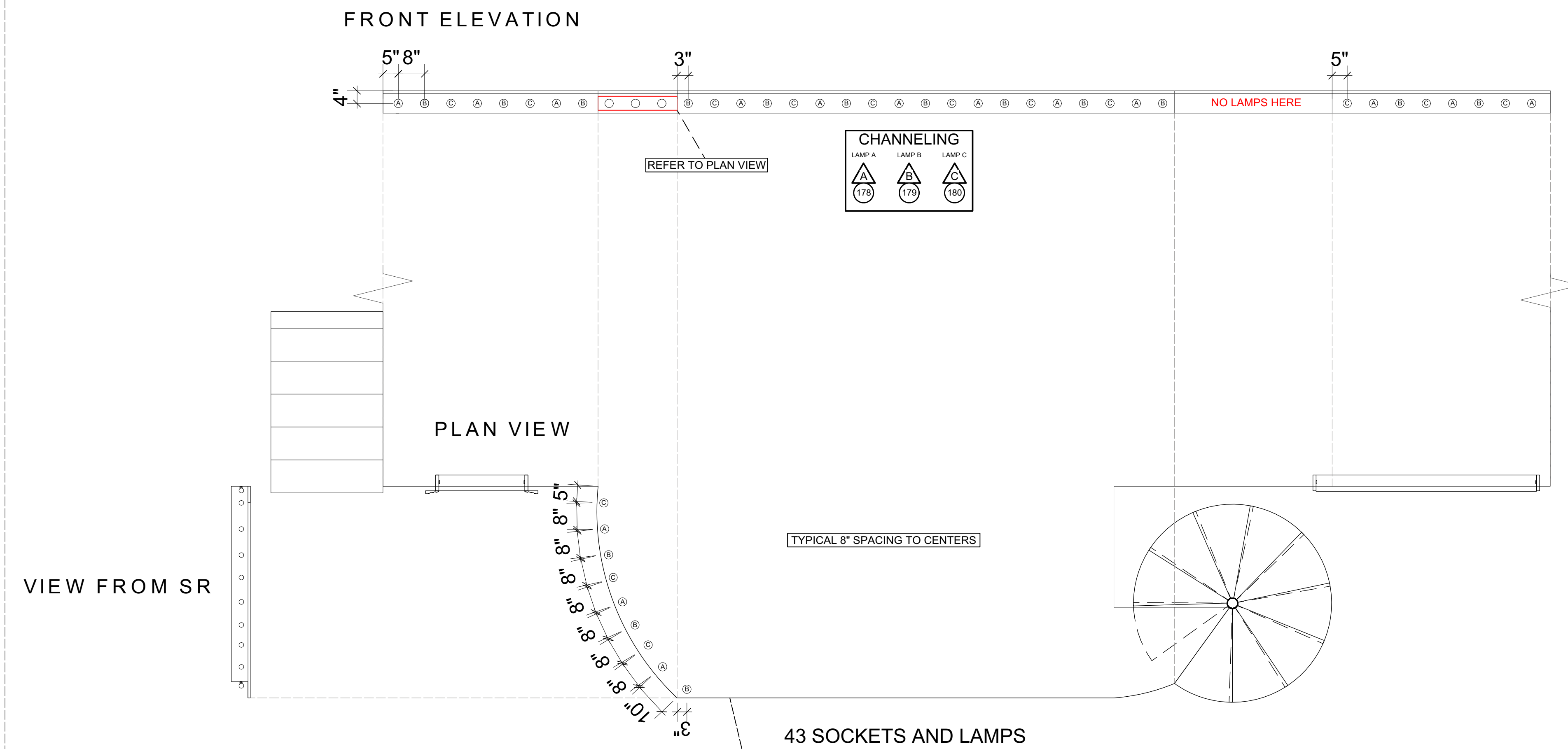


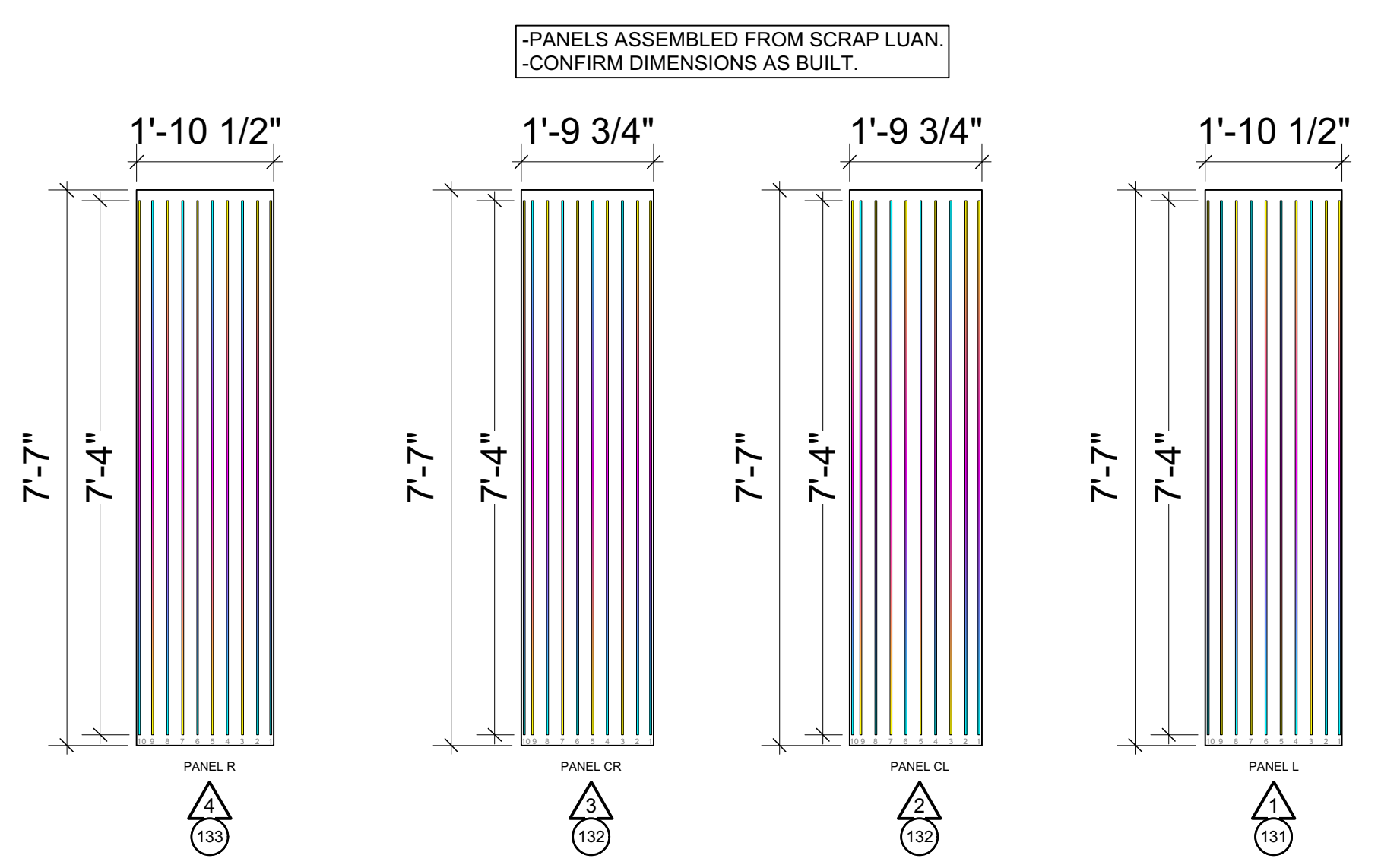
SCALE: 1/4"=1'-0"



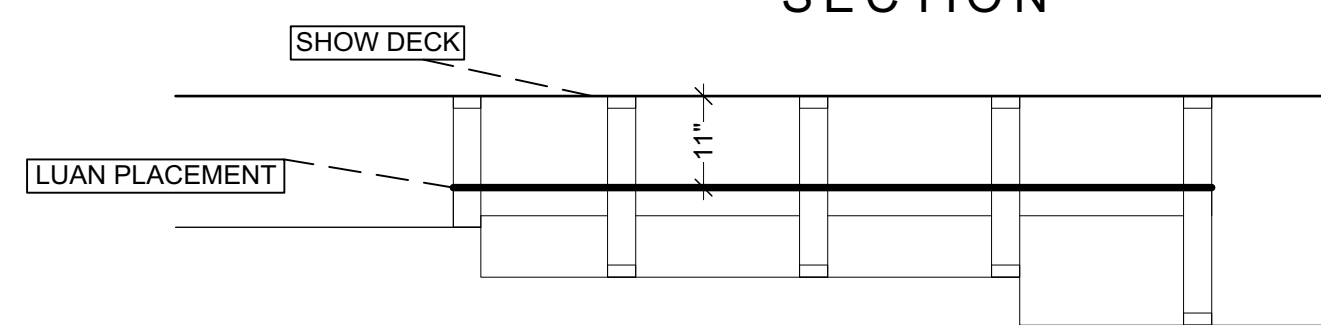
VIEW FROM SR

43 SOCKETS AND LAMPS

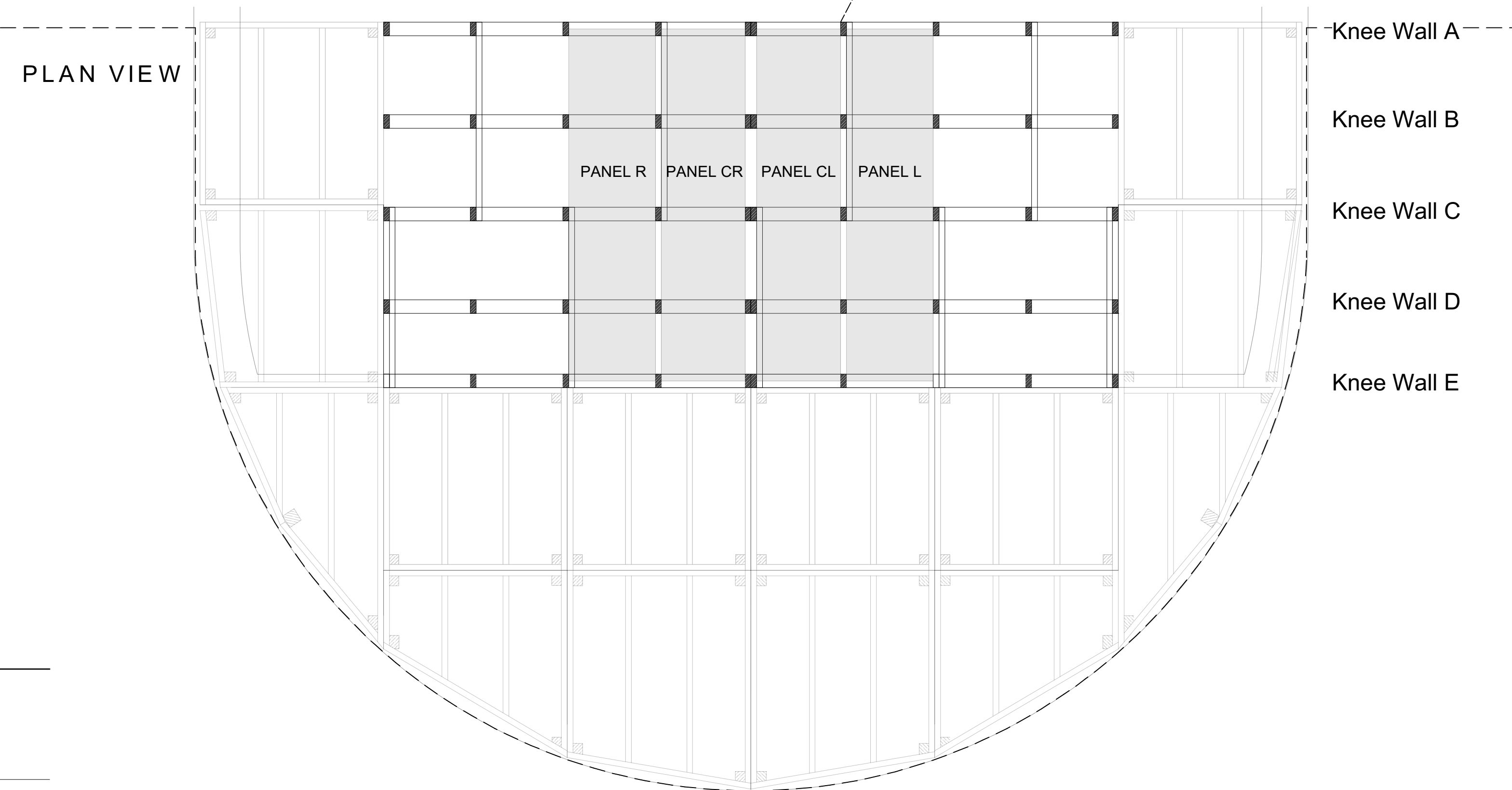
SCALE: 1/4"=1'-0" FOR REFERENCE



SECTION



BELOW DECK



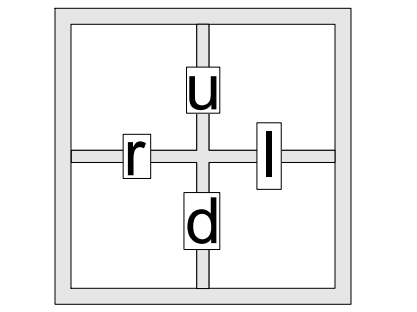
PLAN VIEW

- Knee Wall A
- Knee Wall B
- Knee Wall C
- Knee Wall D
- Knee Wall E

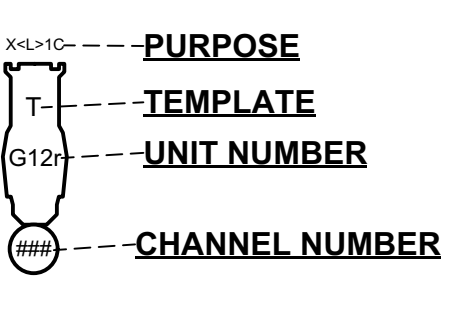
KEYS TO INSTRUMENTS

- ETC S4 LUSTR SERIES 2 19" @ 171w
- ETC S4 LUSTR SERIES 2 26" @ 171w
- ETC S4 LUSTR SERIES 2 36" @ 171w
- ETC S4 19" @ 750w
- ETC S4 26" @ 750w
- ETC S4 36" @ 750w
- ETC S4 50" @ 750w
- ETC S4 70" @ 750w
- ETC S4 19" @ 575w
- ETC S4 26" @ 575w
- ETC S4 36" @ 575w
- ETC S4 50" @ 575w
- ETC S4 ZOOM 25"-50" @ 575w
- ETC S4 PAR WFL @ 575w
- SELECON ACCLAIM 4" FRESNEL @ 500w
- ALTMAN 4.5X6 @ 575w
- ALTMAN 6X9 @ 575w
- ALTMAN 6X12 @ 575w
- ALTMAN PARCAN MFL @ 1kw
- ALTMAN PARCAN WFL @ 1kw
- ALTMAN 3" FRESNEL @ 100w
- PRACTICAL
- CHROMA Q COLORFORCE 12 @ 120w
- HES SOLAFRAME 750 @ 270w
- DMX IRIS
- 18" SIDEARM
- RGBW LED TAPE
- TOPHAT FOOTPRINT
- BOOM BASE
- ROSCO I-CUE
- DROP-IN IRIS
- S4 SPOT ATTACHMENT
- RADIANCE HAZER
- FLOOR BASE

GRID TYPICAL



TYPICAL



SUBMISSIONS

REV	DATE	NOTE
REV 1	2018.10.17	PRELIMINARY SUBMISSION-BCH
REV 2	2018.10.18	PRELIMINARY SUBMISSION REVISED-BCH
REV 3	2018.10.18	PRELIMINARY SUBMISSION REVISED 6PM-BCH
REV 4	2018.10.25	COLOR AND TEMPLATES SUBMISSION-BCH
REV 5	2018.10.31	MINOR NOTES & REVISIONS-JEJ
REV 6	2018.11.11	POST-PRIORITY REVISIONS-JEJ
REV 7	2018.11.26	CURTAIN REVISIONS-JEJ



CABARET

FORUM THEATER

DIRECTOR & CHOREOGRAPHER.....ANNE MCALEXANDER
 SCENIC DESIGN.....JACOB BROWN
 COSTUME DESIGN.....XINGTONG LI
 LIGHTING DESIGN.....BENTLEY HEYDT
 PRODUCTION ELECTRICIAN.....PIPER KIRCHOFFER
 ASSOC. LIGHTING DESIGNER.....JENNINGS JOHNSON

NOTES

- SPACING 1'-6" UNLESS NOTED, TIC MARKS DENOTE 1'-6" SPACES.
- 2-FER WITHIN CHANNELS.
- PLEASE PROVIDE SPARE CIRCUITS ON ALL POSITIONS.
- PLEASE HAVE ALL COLOR, TEMPLATES, AND ACCESSORIES INSTALLED THE START OF FOCUS.
- PLEASE HAVE SPARE R119 AND R132 ON HAND.
- PLEASE HAVE BLACKWRAP AND BLACKTAK ON HAND.
- PLEASE HAVE EXTRA BARN DOORS AND TOP HATS ON HAND.
- PLEASE DRESS CABLE IMMACULATEDLY.
- ALL TRIMS TAKEN FROM CENTER OF PIPES.
- ALL TAILDOWN DIMENSIONS MEASURED FROM SIDE ARMS.
- FOOTPRINTS DENOTE APPROXIMATE LOCATION OF UNIT.
- NO SUBSTITUTIONS WITHOUT DESIGNER APPROVAL.
- ALL UNITS ON TAILDOWNS AND LADDERS RECEIVE TOP HATS.
- PLEASE COVER UNNECESSARY SPILL FROM ALTMAN FIXTURES.
- SIDE ARMS ARE 18" UNLESS OTHERWISE NOTED.

DISCLAIMER

THIS DRAWING REPRESENTS VISUAL CONCEPTS AND CONSTRUCTION SUGGESTIONS ONLY. IT DOES NOT REPLACE THE KNOWLEDGE AND ADVICE OF A LICENSED STRUCTURAL ENGINEER. THE DESIGNER IS UNQUALIFIED TO DETERMINE THE STRUCTURAL APPROPRIATENESS OF THIS DESIGN AND WILL NOT ASSUME RESPONSIBILITY FOR IMPROPER ENGINEERING OR USE.

SCALE: 1/2"=1'0"

UNLESS OTHERWISE NOTED

DRAWING BY: B.C. HEYDT

DRAWING DATE: 2018.10.18 BCH

DWG #

3 OF 4

DECK, UNDER DECK, & BAND PLATFORM DETAIL